

Tech Tip



Tech Tip

NO. 00008 PAGE 1 of 1

N17xx NuVinci HUB

VDO Kit

Sept. 10, 2007 REV. 001

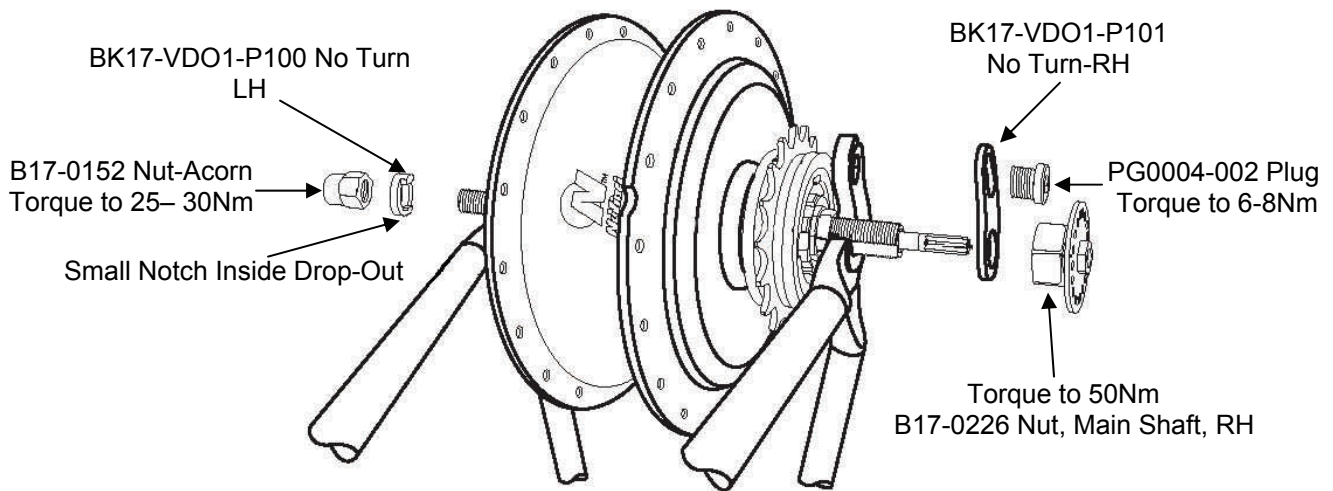
PART NUMBER:

N171B-VDO-001

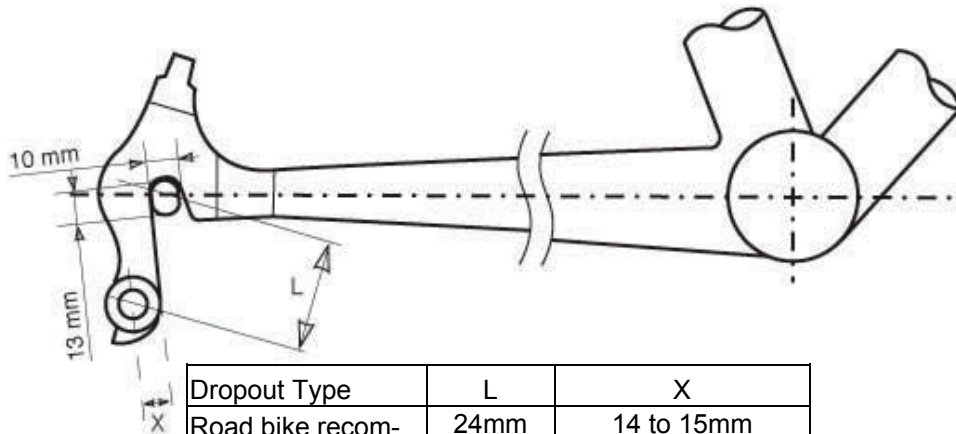
DESCRIPTION:

Vertical Drop-Out Kit Complete

A chain tensioner is required for bicycles without an Eccentric Bottom Bracket. Check with your local Bike Tech for one that will fit. A derailleur hanger needs to be present to use the No Turn-RH.



Recommended drop-out configuration



Dropout Type	L	X
Road bike recommendation	24mm	14 to 15mm
	26mm	14 to 15mm
City/ Trekking bike recommendation	28mm	14 to 15mm
	30mm	14 to 15mm

© 2008 NuVinci and Fallbrook Technologies and their stylized logos are trademarks or registered trademarks of Fallbrook Technologies Inc. All rights reserved. Printed in USA.

